



Powerful performance. Spherical design.

The pool professional's choice for exceptional filtration in a spherical design. This Pro Series Plus filter incorporates many of the advanced features found in Hayward's Pro Series side-mount filter, delivering high-rate performance for the most demanding installations.

Thanks to its spherical design, the Pro Series Plus evenly distributes the high pressure and stress that are common with solar heating systems, spas, fountains and in-floor cleaning systems. Its impressive underdrain assembly uses 3,800 slots on 10 self-cleaning laterals that ensure totally balanced flow and backwashing. The overall result is a minimal-maintenance filter with greater strength and longer life.



Pumps

Filters

Heaters

Heat Pumps

Cleaners

Lighting

Controls

Electronic Chlorine
Generators

Total System

Optional Valve and Coupling Selections for plumbing ease and versatility.

Manual Air Relief for easy, safe manual release of air from system.

Durable Flanged Inspection/Access Cover provides convenient access to top of filter.

Integral Top Diffuser ensures even distribution of water over the top of the sand media bed. All internal piping is 2" to give smooth, free-flowing performance.

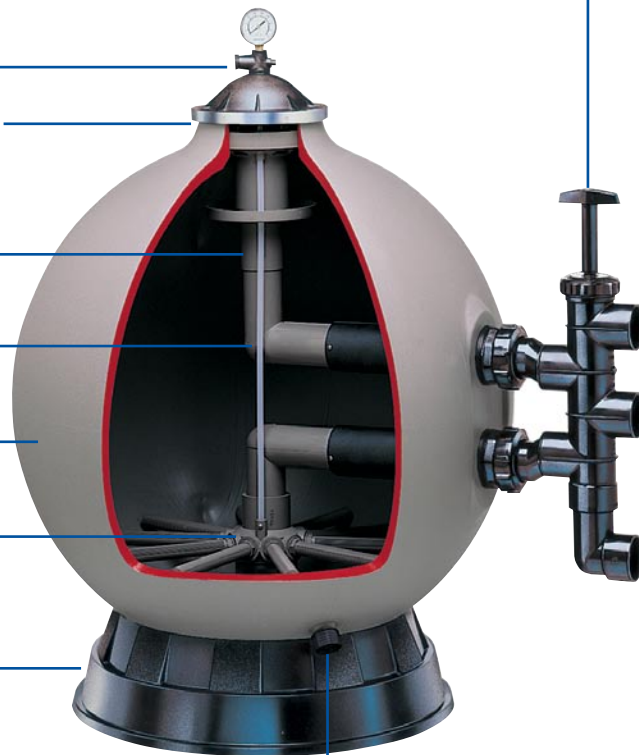
Automatic Air Relief purges any trapped air during operation of the filter system.

Unitized, Corrosion-Proof Spherical Filter Tank is molded of rugged, color-fast polymeric material for maximum strength.

Efficient, Multilateral Underdrain Assembly with 360 slotted, self-cleaning laterals, gives totally balanced flow and backwashing.

Totally Corrosion-Proof Base is rugged and attractively styled to provide strong, stable support.

Integral Molded Drain Plug for easy draining of tank, without the loss of sand.

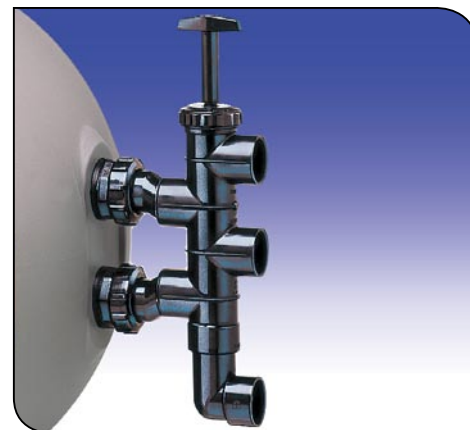


SPECIFICATIONS – PRO SERIES PLUS SPHERICAL DESIGN SIDE-MOUNT SAND FILTERS	
FILTER TYPE	High-Rate Sand: No. 1/2 Silica Sand (0.45 mm – 0.55 mm)
FILTER TANK	Spherical, Molded Polymeric
UNDERDRAIN	360° Self-Cleaning Slotted Laterals Precision Installed in Ball-Joint Assembly
CONTROL VALVE (sold separately)	2", 7-Position, Vari-Flo™; 2", 2-Position Slide Valve; or 1½" SKT x 2" SLIP Connectors for Multiple (Tandem) Filter Installations
SUPPORT BASE	Injection-Molded ABS
PERFORMANCE RANGE	99 to 130 GPM (375 to 492 LPM)
DIMENSIONS	S311SX – 31" W x 38 ⁵ / ₈ " H (79 cm x 98 cm) S360SX – 36" W x 46" H (91 cm x 117 cm)

Above dimensions are for filter only. Add 14" (36 cm) for multi-port valve, add 7" (8 cm) for slide valve.

PERFORMANCE DATA						
MODEL NUMBER	EFFECTIVE FILTRATION AREA	DESIGN FLOW RATE*	MAXIMUM WORKING PRESSURE	TURNOVER		SAND REQUIRED
				8 hrs.	10 hrs.	
S311SX	4.95 ft. ²	99 GPM	50 psi	47,520 gal.	59,400 gal.	350 lbs.
	0.46 m ²	375 LPM	3.45 bar	180 kl	225 kl	
S360SX	6.50 ft. ²	130 GPM	50 psi	62,400 gal.	78,000 gal.	700 lbs.
	0.60 m ²	492 LPM	3.45 bar	236 kl	295 kl	

*Based upon 20 GPM per ft.² (81.5 LPM per m²). Maximum allowable NSF rating.



Your Choice of Control Valves

Select from a wide array of valve options for customized control of your filtration system, including Hayward's 2", 2-position slide valve.

Patented Service-Ease Design

with unique folding ball joint design allows lateral assembly to be easily accessed for simple servicing.

